

## AUTOMOTIVE/MARINE ROCKERS



Fig. 1



Fig. 2

| Retail Part No. | Bulk Part No. | Fig. No. | Circuit Function | Poles/Throws | Amps 125 VAC | Amps 250 VAC | Amps 12 VDC | HP 125-250 VAC | Lamp Color | Lamp Voltage     | Terminal Type | Mounting Hole | Spec. Drawing Page/Part No. |
|-----------------|---------------|----------|------------------|--------------|--------------|--------------|-------------|----------------|------------|------------------|---------------|---------------|-----------------------------|
| 35-3580         | 35-3580-BU    | 1        | On Off           | SPST         | 15           | 10           | N/R         | 1/2            |            |                  | QC .250"      | 0.830 x 1.450 | 287-A                       |
| 35-3585         | 35-3585-BU    | 1        | On On            | DPDT         |              |              | 20          |                |            |                  | QC .250"      | 0.830 x 1.450 | 287-A                       |
| 35-3590         | 35-3590-BU    | 1        | On Off On        | DPDT         |              |              | 20          |                |            |                  | QC .250"      | 0.830 x 1.450 | 287-A                       |
| 35-3500         | 35-3500-BU    | 2        | On Off           | SPST         |              |              | 20          |                | Amber      | 12V Incandescent | QC .250"      | 0.830 x 1.450 | 287-B                       |
| 35-3505         | 35-3505-BU    | 2        | On Off           | SPST         |              |              | 20          |                | Green      | 12V Incandescent | QC .250"      | 0.830 x 1.450 | 287-B                       |
| 35-3510         | 35-3510-BU    | 2        | On Off           | SPST         |              |              | 20          |                | Red        | 12V Incandescent | QC .250"      | 0.830 x 1.450 | 287-B                       |
| 35-3515         | 35-3515-BU    | 2        | On Off           | SPST         |              |              | 20          |                | Blue       | 12V Incandescent | QC .250"      | 0.830 x 1.450 | 287-B                       |
| 35-3520         | 35-3520-BU    | 2        | On Off On        | DPDT         |              |              | 20          |                | Amber      | 12V Incandescent | QC .250"      | 0.830 x 1.450 | 287-B                       |
| 35-3525         | 35-3525-BU    | 2        | On Off On        | DPDT         |              |              | 20          |                | Green      | 12V Incandescent | QC .250"      | 0.830 x 1.450 | 287-B                       |
| 35-3530         | 35-3530-BU    | 2        | On Off On        | DPDT         |              |              | 20          |                | Red        | 12V Incandescent | QC .250"      | 0.830 x 1.450 | 287-B                       |
| 35-3535         | 35-3535-BU    | 2        | On Off On        | DPDT         |              |              | 20          |                | Blue       | 12V Incandescent | QC .250"      | 0.830 x 1.450 | 287-B                       |
| 35-3540         | 35-3540-BU    | 2        | (On) Off         | SPST         |              |              | 20          |                | Amber      | 12V Incandescent | QC .250"      | 0.830 x 1.450 | 287-B                       |
| 35-3545         | 35-3545-BU    | 2        | (On) Off         | SPST         |              |              | 20          |                | Green      | 12V Incandescent | QC .250"      | 0.830 x 1.450 | 287-B                       |
| 35-3550         | 35-3550-BU    | 2        | (On) Off         | SPST         |              |              | 20          |                | Red        | 12V Incandescent | QC .250"      | 0.830 x 1.450 | 287-B                       |
| 35-3555         | 35-3555-BU    | 2        | (On) Off         | SPST         |              |              | 20          |                | Blue       | 12V Incandescent | QC .250"      | 0.830 x 1.450 | 287-B                       |
| 35-3560         | 35-3560-BU    | 2        | (On) Off (On)    | DPDT         |              |              | 20          |                | Amber      | 12V Incandescent | QC .250"      | 0.830 x 1.450 | 287-B                       |
| 35-3565         | 35-3565-BU    | 2        | (On) Off (On)    | DPDT         |              |              | 20          |                | Green      | 12V Incandescent | QC .250"      | 0.830 x 1.450 | 287-B                       |
| 35-3570         | 35-3570-BU    | 2        | (On) Off (On)    | DPDT         |              |              | 20          |                | Red        | 12V Incandescent | QC .250"      | 0.830 x 1.450 | 287-B                       |
| 35-3575         | 35-3575-BU    | 2        | (On) Off (On)    | DPDT         |              |              | 20          |                | Blue       | 12V Incandescent | QC .250"      | 0.830 x 1.450 | 287-B                       |

Notes: For replacement gasket use part number 999-16543-001 All above parts have nylon actuators  
 (On)=Momentary On  
 QC=Quick Connect

## ROUND ROCKERS



Fig. 3



Fig. 4



Fig. 5



Fig. 6



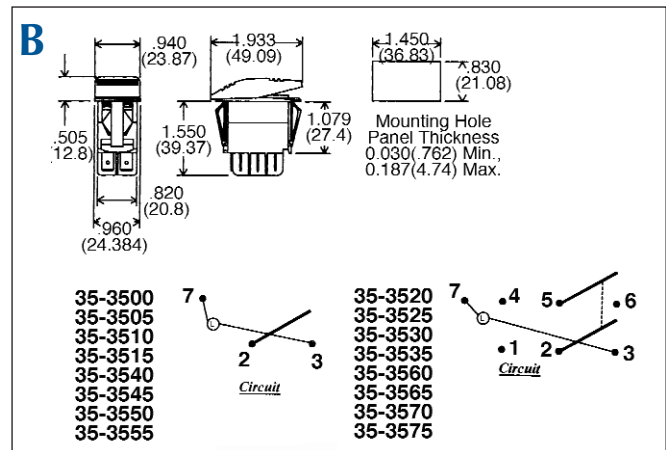
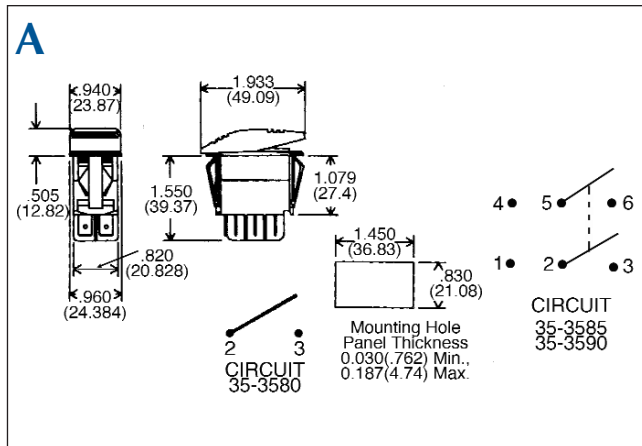
Fig. 7

| Retail Part No. | Bulk Part No. | Fig. No. | Circuit Function | Poles/Throws | AMPS 125VAC | AMPS 250VAC | HP 250 VAC | Actuator Color       | Imprinting Color and Marking | Terminal Type | Mounting Hole | Spec. Drawing Page/Part No. |
|-----------------|---------------|----------|------------------|--------------|-------------|-------------|------------|----------------------|------------------------------|---------------|---------------|-----------------------------|
| 35-1300         | 35-1300-BU    | 3        | On Off           | SPST         | 10          | 6           |            | Red (Lighted)*       | White O- (See Fig.)          | QC .187"      | 0.7952"       | 287-C                       |
| 35-1301         | 35-1301-BU    | 3        | On Off           | SPST         | 10          | 6           |            | Green (Lighted)*     | White O- (See Fig.)          | QC .187"      | 0.7952"       | 287-C                       |
| 35-1302         | 35-1302-BU    | 4        | On Off           | SPST         | 10          | 6           |            | Black                | White O- (See Fig.)          | QC .187"      | 0.7952"       | 287-D                       |
| 35-1303         | 35-1303-BU    | 4        | (On) Off         | SPST         | 10          | 6           |            | Black                | White O- (See Fig.)          | QC .187"      | 0.7952"       | 287-D                       |
| 35-1304         | 35-1304-BU    | 5        | On Off           | DPST         | 10          | 6           |            | Black                | White O- (See Fig.)          | QC .187"      | 0.7952"       | 287-E                       |
| 35-1305         | 35-1305-BU    | 6        | On Off On        | SPDT         | 10          | 6           |            | Black                | White -O=(See Fig)           | QC .187"      | 0.7952"       | 287-F                       |
| 35-1307         | 35-1307-BU    | 3        | On Off           | SPST         | 10          | 6           |            | Amber (Lighted)*     | White O- (See Fig.)          | QC .187"      | 0.7952"       | 287-C                       |
| 35-1311         | 35-1311-BU    | 7        | On Off           | SPST         | 10          | 6           |            | Blk w/Red Indicator* | None                         | QC .187"      | 0.7952"       | 287-G                       |

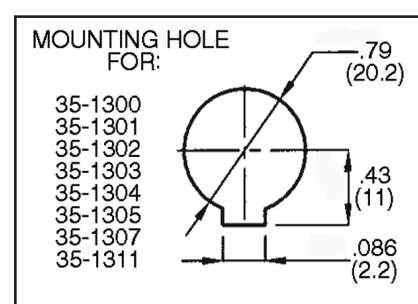
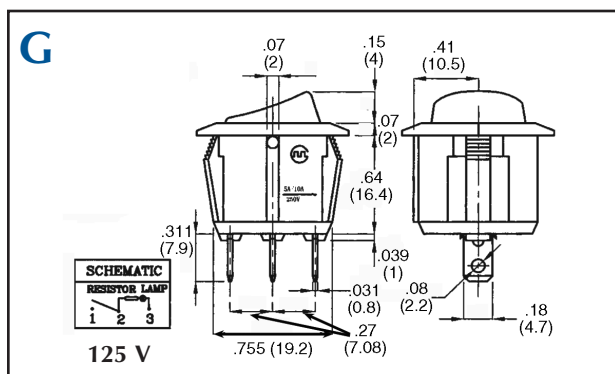
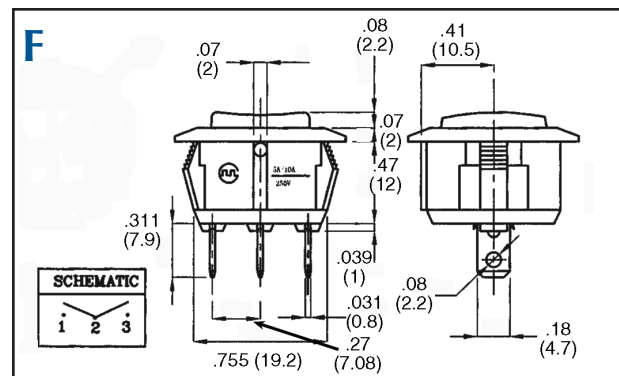
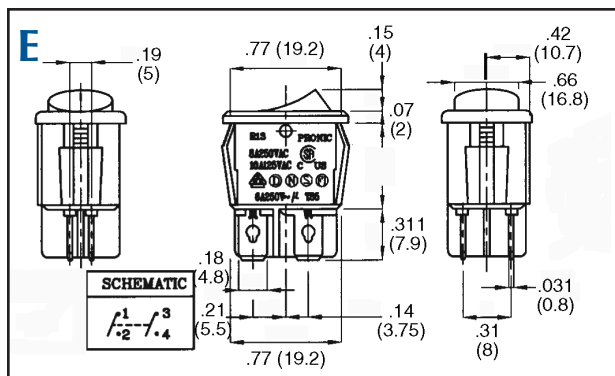
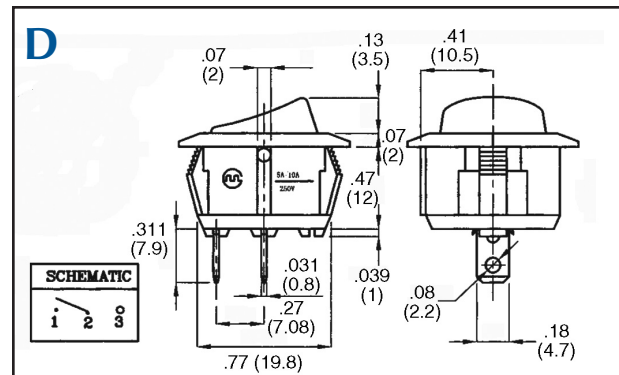
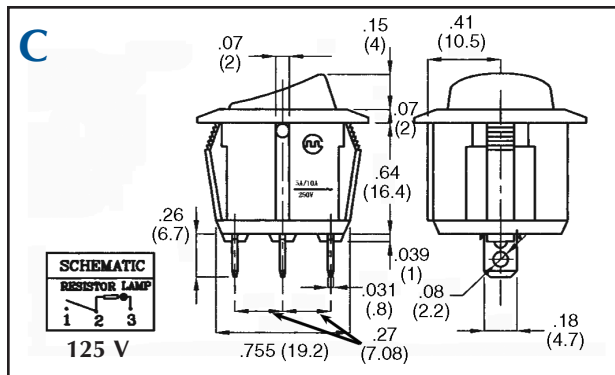
Notes:  
 (On)=Momentary On \* =125V Lamp  
 QC=Quick Connect

Note: All figures are for illustration purpose only, and the number/type of terminals may vary.

## AUTOMOTIVE/MARINE ROCKERS (Cont.)



## ROUND ROCKERS (Cont.)



Switches