

TACTILE PUSHBUTTONS



Fig. 1



Fig. 2



Fig. 3



Fig. 4



Fig. 5

Retail Part No.	Bulk Part No.	Figure No.	Circuit Function	Poles/Throws	Amps 12 VDC	50VAC/DC	Operating Force	Actuator Height	Actuator Color	Mounting Style	Body Size	Spec Drawing Page No.	Protection
35-1451		1	(On) Off	SPST	50mA		160g	0.169	Gray	PCB, Low Profile	0.472"	295-A	IP57 Protected Against Dust Temporary Immersion
35-1452		2	(On) Off	SPST	50mA		130g	0.169	Black	PCB, Low Profile	0.236"	295-A	
35-1453		3	(On) Off	SPST	50mA		200g	0.151	Gray	PCB, Low Profile	0.280"	295-A	
35-1411		4	(On) Off	SPST		1.0VA		0.093		PCB	0.283" (7mm)	295-B	
35-1414		4	(On) Off	SPST		1.0VA		0.156		PCB	0.283" (7mm)	295-B	
35-1412		5	(On) Off	SPST		1.0VA		0.093		Surface	0.283" (7mm)	295-B	
35-1415		5	(On) Off	SPST		1.0VA		0.156		Surface	0.283" (7mm)	295-B	

Notes:(On)=Momentary On PCB=Printed Circuit Board 35-1453 is a Right Angle Style Pushbutton

SUB-MINIATURE SNAP ACTION



Fig. 6



Fig. 7



Fig. 8



Fig. 9

Retail Part No.	Bulk Part No.	Fig. No.	Poles/Throws	Amps 250 VAC	Operating Point (In)	Over Travel Min. (In)	Differential Travel Max. (In)	Operating Force Max. Oz. (grams)	Actuator	Terminal Type	Spec Drawing Page No.
35-822	35-822-BU	6	SPDT	5	0.488			1.0 (28)	Lever	Solder	295-C
35-834	35-834-BU	7	SPDT	5	0.449	0.016	0.008	5.2 (146)	Plunger	Solder	295-D
35-836	35-836-BU	8	SPDT	5	0.476			1.4 (39)	Lever	Solder	295-D
35-838	35-838-BU	9	SPDT	5	0.701			1.6 (45)	Roller	Solder	295-D

Notes:All of the above part numbers have momentary action.

MINIATURE SNAP ACTION



Fig. 10



Fig. 11



Fig. 12

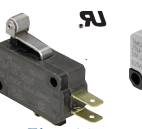


Fig. 13



Fig. 14

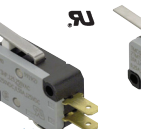


Fig. 15



Fig. 16

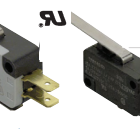


Fig. 17



Fig. 18

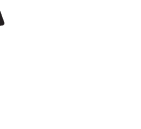


Fig. 19

Retail Part No.	Bulk Part No.	Fig. No.	Poles/Throws	Amps125/250 VAC	Amps 125 VDC	Amps 250 VDC	HP125/250 VAC	PT Max. (In)	OT Min. (In)	DT Max. (In)	OF Max. Oz. (grams)	Actuator	Actuator Length (In)	Spec Drawing Page No.
35-823	35-823-BU	10	SPDT	10	1/2	1/4	1/3	0.056	0.035	0.013	2.7 (75)	PP		295-E
35-824	35-824-BU	11	SPDT	10	1/2	1/4	1/3	0.500	0.200	0.125	0.60 (17)	Lever	2.22	295-F
35-827	35-827-BU	12	SPDT	10	1/2	1/4	1/3	0.160	0.065	0.030	1.59-2.65 (45-75)	LvR	1.343	295-G
35-846	35-846-BU	13	SPDT	10	1/2	1/4	1/3	0.070	0.035	0.013	2.65-3.18 (75-90)	LvR	0.810	295-H
35-870	35-870-BU	14	NC SPST	10	1/2	1/4	1/3	0.056	0.035	0.013	2.7 (75)	PP		295-E
35-872	35-872-BU	14	NO SPST	10	1/2	1/4	1/3	0.056	0.035	0.013	2.7 (75)	PP		295-E
35-876	35-876-BU	13	SPDT	10	1/2	1/4	1/3	0.700	0.035	0.013	5.3-6.36 (150-180)	LvR	0.810	295-H
35-878	35-878-BU	15	SPDT	10	1/2	1/4	1/2	0.140	0.062	0.050	3.18-5.3 (90-150)	SR	1.29	295-I
35-880	35-880-BU	16	SPDT	10	1/2	1/4	1/3	0.160	0.075	0.032	1.59-2.65 (45-75)	Lever	1.40	295-J
35-882	35-882-BU	12	SPDT	10	1/2	1/4	1/3	0.160	0.065	0.030	5.29 (150)	LvR	1.343	295-G
35-3934	35-3934-BU	17	SPDT	10	1/2	1/4	1/3	0.080	0.035	0.013	2.65-3.18 (75-90)	Lever	0.840	295-K
35-3938	35-3938-BU	11	SPDT	11*	1/2	1/4	1/3	0.250	0.125	0.045	2.5-8.0 (70-225)	Lever	2.34	295-F
35-3940	35-3940-BU	13	SPDT	11*	1/2	1/4	1/3	0.060	0.030	0.015	7.94 (225)	LvR	0.810	295-H
35-3942	35-3942-BU	16	SPDT	10	1/2	1/4	1/3	0.160	0.075	0.032	1.06-1.76 (30-50)	Lever	1.40	295-J
35-840	35-840-BU	10	SPDT	15	1/2	1/4	1/2	0.056	0.035	0.013	5.29 (150)	PP		295-E
35-842	35-842-BU	15	SPDT	15	1/2	1/4	1/2	0.140	0.062	0.050	3.18-5.3 (90-150)	SR	1.29	295-I
35-844	35-844-BU	16	SPDT	15	1/2	1/4	1/2	0.160	0.075	0.032	2.28-5.3 (80-150)	Lever	1.40	295-J
35-848	35-848-BU	12	SPDT	15	1/2	1/4	1/2	0.160	0.065	0.030	2.8-5.3 (80-150)	LvR	1.343	295-G
35-874	35-874-BU	13	SPDT	15	1/2	1/4	1/2	0.070	0.035	0.013	5.3-6.36 (150-180)	LvR	0.810	295-H
35-3945	35-3945-BU	18	SPDT	15*	1/2	1/4	1/2	0.250	0.125	0.045	4.2-14.1 (120-400)	Lever	2.340	295-L
35-3932	35-3932-BU	19	SPDT	21*			1†	0.047	0.050	0.010	7.94 (225)	PP		295-M

Notes: *Rated @ 277VAC
†=Rated @ 125VAC, 2 HP @ 250VAC
All of the above have momentary action
All of the above snap switches have a terminal type of QC .187".

DT=Differential Travel
HP=Horse Power
LvR=Lever Roller

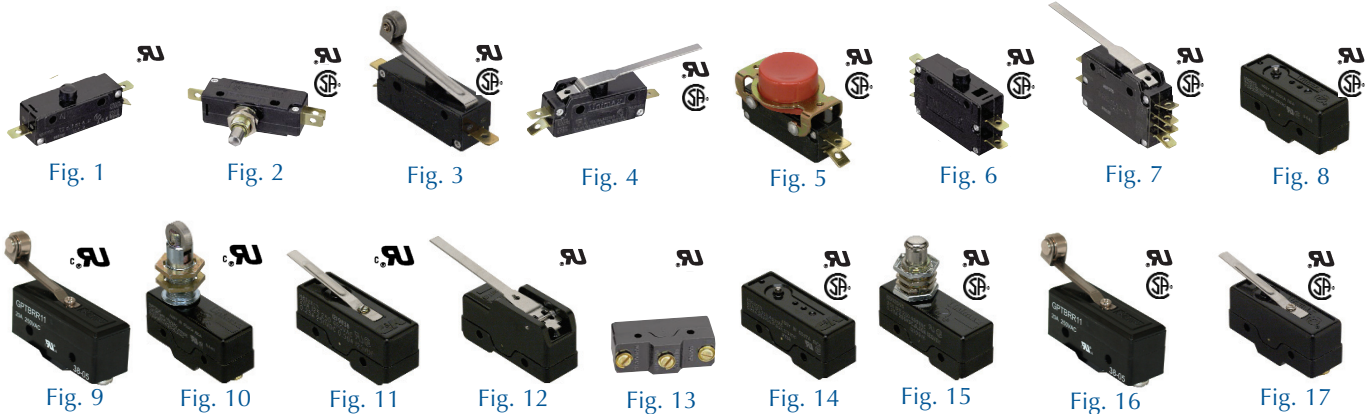
NC=Normally Closed
NO=Normally Open
OF=Operating Force

OT=Over Travel
PP=Pin Plunger
PT=Pre Travel

SR=Simulated Roller
QC=Quick Connect

Note: All figures are for illustration purpose only, and the number/type of terminals may vary.

GENERAL PURPOSE SNAP ACTION



Retail Part No.	Bulk Part No.	Fig. No.	Amps **VAC	Amps 125 VDC	Amps 250 VDC	HP 125 VAC	HP 250 VAC	PT Max. (In)	OT Min. (In)	DT Max. (In)	OF Max. Oz. (grams)	Actuator	Actuator Length (In)	Terminal Type	Spec Drawing Page No.
35-461	35-461-BU	1	15			3/4	1-1/2	0.050	0.050	0.010	20 (567)	PI		QC .250"	297-A
35-462	35-462-BU	2	15			3/4	1-1/2	0.050	0.187	0.010	20 (567)	PI w/OT		QC .250"	297-B
35-463	35-463-BU	3	15			3/4	1-1/2	0.281	0.062	0.094	20 (567)	Ro	1.50	QC .250"	297-C
35-464	35-464-BU	4	15			3/4	1-1/2	0.312	0.187	0.062	20 (567)	Lever	2.50	QC .250"	297-D
35-830	35-830-BU	5	15			3/4	1-1/2	0.050	0.050	0.010	20 (567)	Red Pb		QC .250"	297-E
35-831	35-831-BU	5	15			3/4	1-1/2	0.050	0.050	0.010	20 (567)	Black Pb		QC .250"	297-E
35-990	35-990-BU	*6	15			3/4	1-1/2	0.050	0.050	0.010	30 (850)	PI		QC .250"	297-F
35-992	35-992-BU	*7	15			3/4	1-1/2	0.312	0.187	0.062	30 (850)	Lever	2.50	QC .250"	297-F
35-3900	35-3900-BU	8	15			1/8	1/4	0.016	0.005	0.002	12.3 (350)	PP		Sc	297-G
35-3901	35-3901-BU	8	15	1/2	1/4			0.016	0.005	0.002	12.3 (350)	PP		Sc	297-G
35-3907	35-3907-BU	9	15					0.158	0.063	0.002	5.3 (151)	LRO	1.783	Sc	297-O
35-3910	35-3910-BU	10	20	1/2	1/4	1	2	0.028	0.140	0.008	22.9 (650)	RP		Sc	297-I
35-3911	35-3911-BU	10	15					0.016	0.140	0.002	12.3 (349)	RP		Sc	297-I
35-828	35-828-BU	11	20	1/2	1/4	1	2	0.156	0.062	0.050	5-13 (142-370)	LL	1.95	Sc	297-H
35-829	35-829-BU	11	15	1/2	1/4	1	2	0.156	0.062	0.050	5-13 (142-370)	LL	1.97	Sd	297-H
35-890	35-890-BU	12	20	1/2	1/4			0.380	0.190	0.156	3.5-26 (100-740)	Lever	2.50	Sc	297-J
35-892	35-892-BU	13	20	1/2	1/4	1	2	0.020	0.055	0.002	12.3 (350)	SP		Sd/Sc	297-K&L
35-894	35-894-BU	14	20	1/2	1/4	1	2	0.020	0.005	0.002	12.3 (350)	PP		Sd/Sc	297-L
35-896	35-896-BU	15	20	1/2	1/4	1	2	0.020	0.063	0.002	12.3 (350)	PI w/OT		Sd/Sc	297-M
35-980	35-980-BU	14	20	1/2	1/4			0.030	0.005	0.005	26 (740)	PP		Sd/Sc	297-L
35-982	35-982-BU	15	20	1/2	1/4			0.030	0.220	0.005	26 (740)	PI		Sd/Sc	297-M
35-984	35-984-BU	12	20	1/2	1/4			0.380	0.190	0.047	2.5-9 (60-255)	Lever	2.50	Sd/Sc	297-J
35-987	35-987-BU	16	15					0.280	0.157	0.327	3.5 (100)	Ro	1.05	Sc	297-N
35-3903	35-3903-BU	13	20	1/2	1/4	3/4	1 1/2	0.020	0.055	0.002	12.3 (350)	SP		Sc	297-K
35-3904	35-3904-BU	17	20	1/2	1/4	1/2	1	0.158	0.062	0.050	5.3 (150)	LL	1.95	Sc	297-H
35-3906	35-3906-BU	16	20	1/2	1/4	1	2	0.156	0.062	0.050	5-13 (142-370)	LRO	1.78	Sc	297-O

Notes: All of the above have momentary action
 *DPDT
 **125/250VAC
 All have SPDT, but 35-990 & 35-992

DT=Differential Travel
 HP=Horse Power
 HRO=Hinged Roller
 LRO=Leaf Rollers
 LL=Leaf Lever

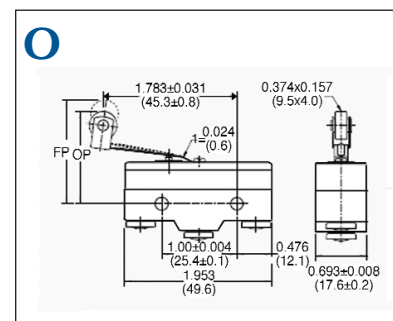
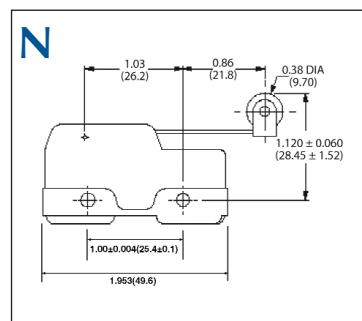
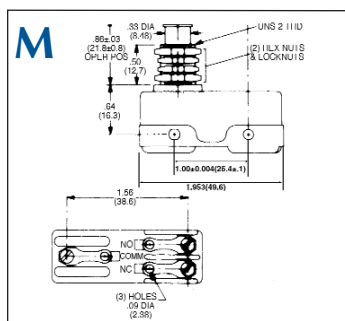
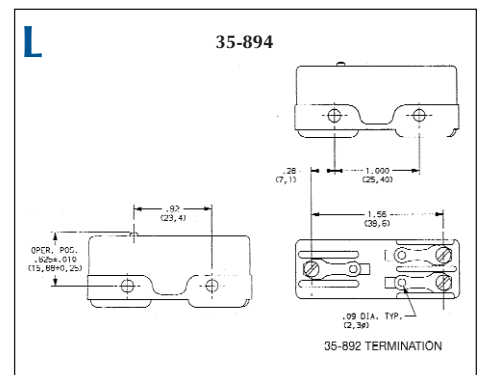
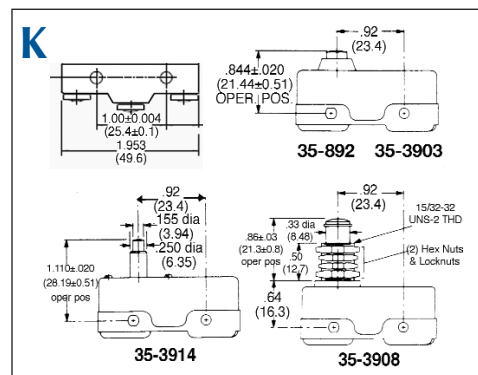
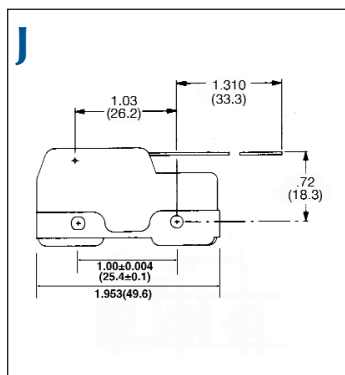
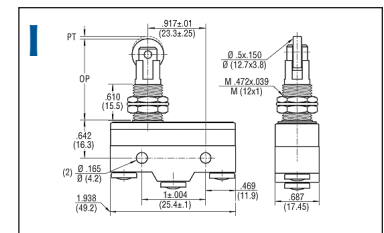
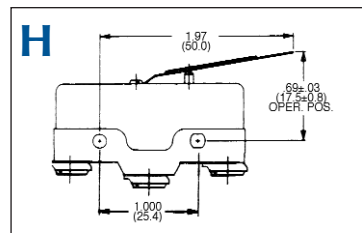
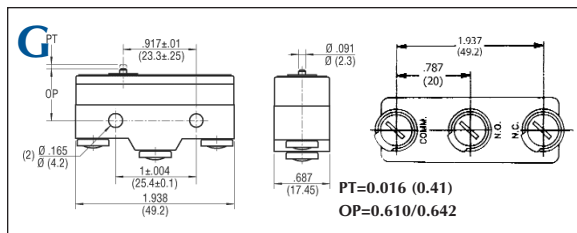
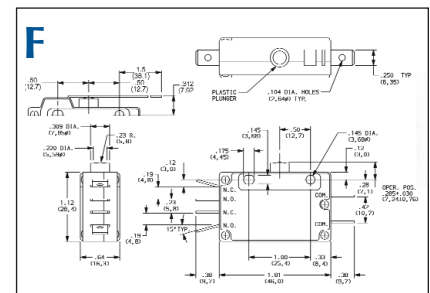
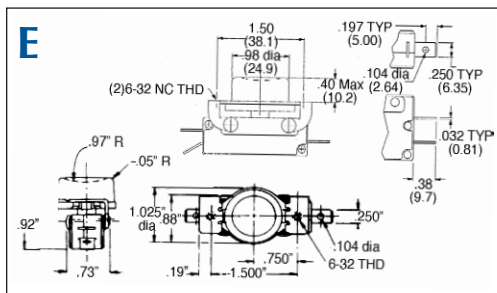
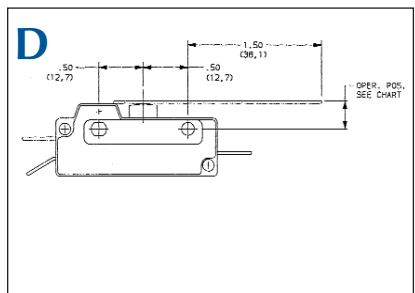
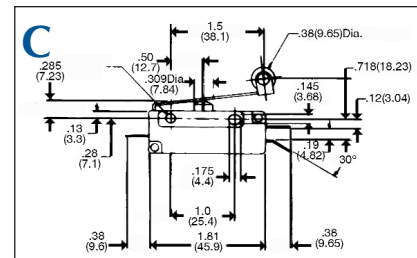
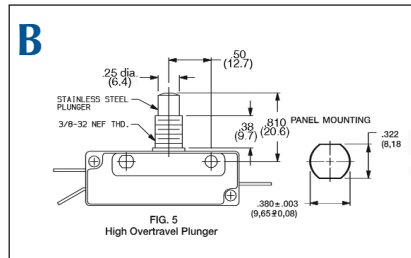
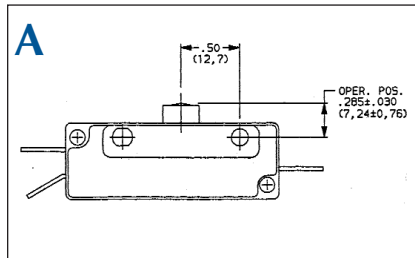
OF=Operating Force
 OT=Over Travel
 Pb=Pushbuttons
 Pl.=Plunger

PT=Pre-Travel
 QC=Quick Connect
 RP=Roller Plunger
 Sc=Screw

Sd=Solder
 ShRo=Short Roller
 SP=Stub Plunger
 PP=Pin Plunger
 Ro=Roller

Note: All figures are for illustration purpose only, and the number/type of terminals may vary.

GENERAL PURPOSE SNAP ACTION (Cont.)



Switches

GENERAL PURPOSE SNAP ACTION (Cont.)



Fig. 1



Fig. 2



Fig. 3



Fig. 4

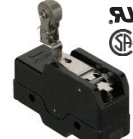


Fig. 5

Retail Part No.	Bulk Part No.	Fig. No.	Amps **VAC	Amps 125 VDC	Amps 250 VDC	HP 125 VAC	HP 250 VAC	PT Max. (In)	OT Min. (In)	DT Max. (In)	OF Max. Oz. (grams)	Actuator	Actuator Length (In)	Terminal Type	Spec Drawing Page No.
35-3908	35-3908-BU	1	20	1/2	1/4	3/4	1-1/2	0.025	0.22	0.002	20 (567)	High OT Pl		Sc	299-A
35-3914	35-3914-BU	2	20	1/2	1/4	3/4	1-1/2	0.020	0.062	0.002	13 (368)	Small OT Pl		Sc	299-A
35-3916	35-3916-BU	3	20	1/2	1/4	3/4	1-1/2	0.380	0.190	0.078	2.5-18 (71-510)	Lever	2.34	Sc	299-B
35-3921	35-3921-BU	4	20	1/2	1/4	N/R	N/R	0.080	0.090	0.008	10-13 (284-370)	RARO	0.65	Sd/Sc	299-C
35-3922	35-3922-BU	5	20	1/2	1/4	1/2	1		0.094	0.020	18 (510)	HRo	0.91	Sc	299-D

Notes: All of the above have momentary action
**125/250/480VAC
All have SPDT

DT=Differential Travel
HP=Horse Power
HRo=Hinged Roller
LRo=Leaf Rollers
LL=Leaf Lever

OF=Operating Force
OT=Over Travel
Pb=Pushbuttons
Pl=Plunger

PT=Pre-Travel
QC=Quick Connect
RP=Roller Plunger
Sc=Screw
RARO=Reverse Action Roller

Sd=Solder
SP=Stub Plunger
PP=Pin Plunger
Ro=Roller

KEYLOCK SWITCHES



Fig. 6



Fig. 7



Fig. 8



Fig. 9



Fig. 10



Fig. 11

Retail Part No.	Bulk Part No.	Fig. No.	Poles/Throws	Amps 125 VAC	Action	Index	Lock Type	Key Removal	Actuator	Terminal Type	Mounting Hole (In)	Hardware	Spec Drawing Page No.
35-196	35-196-BU	6	SPST	2.5*	On/Off	90°	5 disk tumbler	2 Pos.	Metal Key††	Sc	0.8	***	299-E
35-3190	35-3190-BU	7	SPDT	4	On/On	90°	4 tumbler w/detent	2 Pos.	Metal Key†	Sd Lug	0.760 x 0.640	N, 2Keys	299-G
35-3192	35-3192-BU	7	DPDT	4	On/On	90°	4 tumbler w/detent	2 Pos.	Metal Key†	Sd Lug	0.760	N, 2Keys	299-G
35-3193	35-3193-BU	8	SPDT	4	On/On	90°	6 tumbler w/tube lock	2 Pos.	Metal Barrel Key†	6" WL	0.760 x 0.640	N, 2Keys	299-H
35-3194	35-3194-BU	8	SPDT	4	On/On	90°	6 tumbler w/tube lock	1 Pos.	Metal Barrel Key†	6" WL	0.760 x 0.640	N, 2Keys	299-H
35-3195	35-3195-BU	9	SPDT	4	On(On)	45°	4 tumbler	1 Pos.	Metal Key†	6" WL	0.760 x 0.640	N, 2Keys	299-F
35-3197	35-3197-BU	10	SPDT	4	**	45°	4 tumbler	1 Pos.	Metal Key†	Sd Lug	0.760 x 0.640	N, 2Keys	299-G
35-3482		11	SPDT	****	Off/On/(On)	90°	5 tumbler	1 Pos.	Metal Key†	Sc	0.844	N, 2Keys	299-I

Notes: *Rated @ 2.5Amps 120VAC (480V.A.)
**SP-3 pos. On1 - Off - On2
***Nut, 2 Screws, Ring, and 2 Keys
35-196 is rated @ 2.5A @120VAC (480V.A.),
2.1amps @46VDC (96V.A.), all of the rest are rated
@ 2A @250VAC/4A @ 28VDC, except 35-3482
**** 35-3482 is rated @ 15A 6-12VDC-2 Position SPDT

Keys(2) included in Hardware
N=Nut
Pos.=Positions
Sc=Screw
Sd=Solder
WL=Wire Leads
†=All keyed alike per figure

††=For 35-196 switches all keyed alike order:
Key#530= 35-530-BU
Key#531= 35-531-BU
Key#540= 35-540-BU
Key#541= 35-541-BU
Key#550= 35-550-BU
Key#553= 35-553-BU

#1110801 Keys for 35-3193 & 35-3194

#115140126 Keys for 35-3190, 35-3192, 35-3195 & 35-3197

Note: All figures are for illustration purpose only, and the number/type of terminals may vary.

